

BOSS TRANSFORMER COMBI HF 110

Power flushing pump with antacid vertical axis. Suitable for domestic and medium dimensions systems. Practical trolley design with 110 litres tank.

COD. 301301006

CHEMICAL AND PHYSICAL FEATURES

WEIGHT	34 kg
ELECTRICAL PROTECTION	IP 55
IN/OUT CONNECTIONS	3/4" F
MAX. FLOW RATE	52 l/min
OPERATING PRESSURE	1,6 bar
TANK CAPACITY	110 litres
MAX. TEMPERATURE	70°C
MATERIAL	PP and aluminum
MOTOR	230vac /50 Hz/0,373 kW
DIMENSIONS	H: 1020 mm L: 460 mm P: 550 mm

PACKAGING FEATURES

NUMBER OF PIECES PER BOX	1 pc
NUMBER OF PIECES PER EPAL PALLET	2 pcs
BOX DIMENSIONS	H: 115 L: 58 P: 50 cm
EPAL PALLET DIMENSIONS	80x120x204 cm
PRODUCT WEIGHT	34 kg
BOX WEIGHT	36 kg
EPAL WEIGHT	92 kg
CUSTOMS CODE *	8413.81.00
BARCODE EAN 13	8054633849873

*Data updated in May 2016



ADVANTAGES

- Easy to carry
- High performances
- Operating up to 70°C
- Exclusive design

BENEFITS

- Optimal heat exchange restoring
- Energy consumption reduction
- Reduction of energy consumption visible on your bill
- Reduction of processing time thanks to the complete hydraulic control system

MAIN FEATURES

Boss Transformer Combi HF 110 has been designed to offer to the final user a solid product, multifunctional and with unique features present on the market. This product guarantees to the maintenance technician to operate both with products suitable for the restoring and conditioning of closed heating and cooling circuits, and with products with an acid base to descale. This product has the maximum modularity, also expressed in the shapes, that makes it customizable and extremely versatile.

The supporting structure in varnished aluminum is hooked to a tank in shock resistant, reinforced and antacid polypropylene tank. Pump with antacid vertical axis, braided pipes, equipped with closing valves and flexible connections to simplify the connection to the system. 3-ways valve for the fast flows exchange, and PVC, anticorrosive fitting. The pump is equipped with a tap on the lower part to simplify the drain of the tank.

APPLICATION AND USE

Pump for the cleaning, refill, restoring and drain of heating and cooling systems both of conventional and low temperature, made of any plastic and metal material. Descaling with acid products of heat exchangers and pipes of sanitary systems.

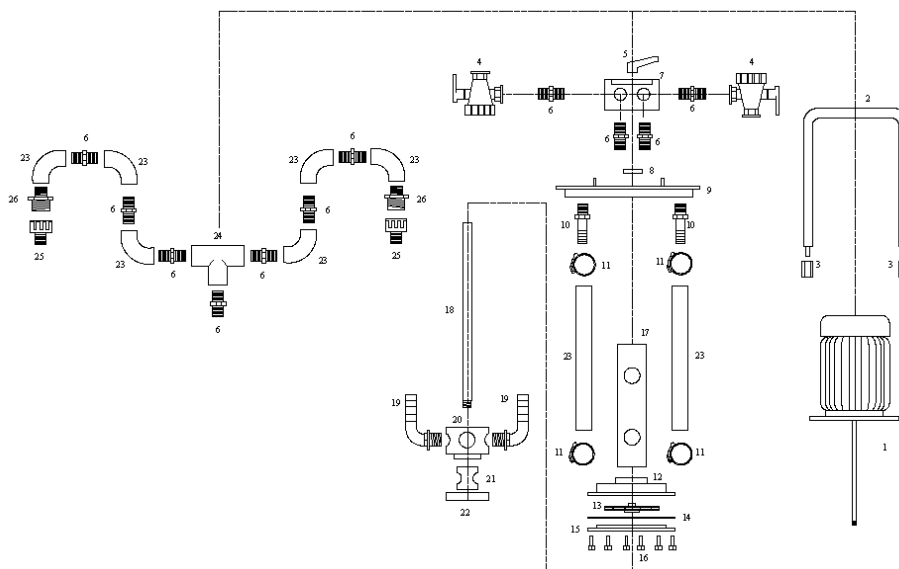
WHAT DO I NEED TO INSTALL IT

- Flexible pipes for an easier connection
- Nipples
- Connections
- Typical plumber's tools for connections of different type.

CORRECT INSTALLATION

1. Connect the pipes to the device (discharge, return, charge and drain)
2. Control the connections endurance
3. Connect the pump to the system that has to be treated
4. Fill the tank with clean water and add the restoring/descaling chemical product

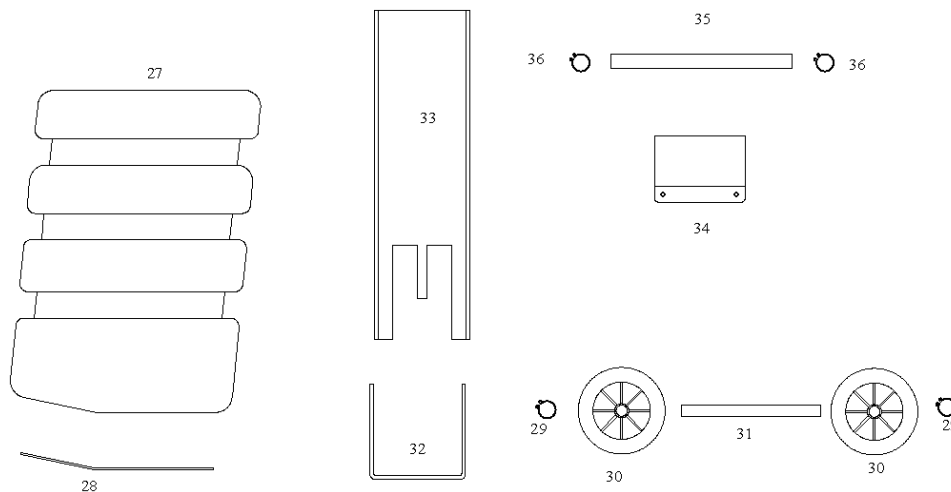
EXPLODED VIEW AND SPARE PARTS



- | | |
|-----------------------|------------------------------|
| 1 - MOTOR | 10 - STRAIGHT HOSE CONNECTOR |
| 2 - HANDLE | 11 - HERBIE HOSE CLAMP |
| 3 - PVC HANDLE NUTS | 12 - PUMP CASE |
| 4 - 3-WAY VALVE | 13 - IMPELLER 110 MM |
| 5 - SWITCH LEVER | 14 - IMPELLER GASKET |
| 6 - 3/4" NIPPLE | 15 - IMPELLER LID |
| 7 - DISTRIBUTOR BLOCK | 16 - PA SCREWS |
| 8 - CABLE SEAL | 17 - PUMP BODY |
| 9 - FLANGE | 18 - SWITCH STEM |

- 19 - 3/4" CURVE HOSE HOLDER
- 20 - SWITCH CYLINDER
- 21 - SWITCH PISTON
- 22 - SWITCH LID
- 23 - 3/4" BEND
- 24 - "T" 3/4"
- 25 - 3/4" - 1" COUPLING
- 26 - REDUCTION MM 3/4" - 1"
- 27 - TANK

- 28 - LOWER PLATE
- 29 - WHEELS ELASTIC RING
- 30 - WHEELS
- 31 - PIVOT WHEELS
- 32 - BRACKET WHEELS
- 33 - HANDLE BOX
- 34 - HANDLE LID
- 35 - HANDLE
- 36 - HANDLE ELASTIC RING



PACKAGE CONTENT

- Pump
- Connection pipes equipped with connections of 3/4" and hose clamps:
 - 2 m discharge wired hose
 - 2 m return wired hose
 - 2 m replenishment wired hose
- User's guide

MAINTENANCE

Respect all regulations for the use and disposal of the finished solution. It is suggested, in case of dripping, the immediate cleaning with water rinse. Be careful not to wet the motor of the pump. Periodically control the connections holding.

DO NOT LEAVE THE PUMP UNATTENDED WHILE IT IS IN OPERATION. AT THE END OF DESCALING OPERATIONS, PROCEED TO ABUNDANTLY RINSE THE PUMP WITH CLEAN WATER. DO NOT LEAVE ANY CHEMICAL PRODUCT INSIDE THE TANK.

OPTIONAL

1. Pump cleaning adaptor
COD. 301310001
2. Kit tubi HF
COD. 301310004



SIMILAR PRODUCTS

1. Boss Hyperflush 36
COD. 301301001
2. Boss Transformer
PFH 55
COD. 301301012
3. Boss Transformer
Combi HF 75
COD. 301301005
4. Boss Transformer
PFH 85
COD. 301301013
5. Boss Pulisci Prova
Impianti Media
COD. 301301010
6. Boss Pulisci Grandi
Impianti
COD. 301301011



TO BE USED WITH

1. Conditioning products for heating systems
2. Geothermal products
3. Cooling products
4. Solar thermal products
5. Descaling products

OFFER DESCRIPTION

Descaling centrifugal pump, with antacid vertical axis. Connection from $\frac{3}{4}$ " , tank 110 litres. To be used to restore small and medium heating systems and to clean wall-mounted boilers, hearth-mounted boilers, big boilers, heat exchangers, boilers, chiller and molding machines. To be used up to 70°C. Flow rate 52 l/min, prevalence 1,6 bar. Electricity supply 230 VAC.

COMPLIANCE

This product mod. BOSS TRANSFORMER COMBI HF 110 has been designed and constructed in accordance with the following European directives (including all applicable amendments):

Directive 2006/42/EC: Machine

Directive 2006/95/EC: Low Voltage

Directive 2004/108/EC: Electromagnetic Compatibility

Directive 2011/65/EC: RoHS 2

In addition, declares, that the electrical material used to made the product is in compliance with Regulation CEI-EN 60034: Electrical rotating machines. Part 1: Nominal and operative features.

ORIGIN OF THE PRODUCT

 Made in Italy

TDS. 421.00
Date of issue: 30/10/2017
Date of revision:

Boiler Performance by Manta Ecologica S.r.l.

Viale Archimede, 45 - 37059 - Zevio (VR)

www.boilerperformance.com

