

BOSS 5 FI

Descaling pump for boilers, heat exchangers, plastic press moulding machines, wall-mounted and floor standing boilers.

COD. 300601002



TECHNICAL FEATURES

| | |
|----------------------|-------------------------------|
| TANK | 5 l |
| MAX FLOW RATE | 30 l/min |
| CONNECTIONS | 1/2" |
| MOTOR | 230 V/50 Hz/0,165 kW |
| PRESSURE | 1 bar |
| DEGREE OF PROTECTION | IP 55 |
| WEIGHT | 4,5 kg |
| MAX TEMPERATURE | 60° C |
| DIMENSIONS | H: 350 mm L: 330 mm P: 330 mm |

PACKAGING FEATURES

| | |
|----------------------------------|---------------------|
| NUMBER OF PIECES PER BOX | 1 pc |
| NUMBER OF PIECES PER EPAL PALLET | 24 |
| BOX DIMENSIONS | H: 45 L: 36 P: 49,5 |
| EPAL PALLET DIMENSIONS | 80x120x194 cm |
| PRODUCT WEIGHT | 8 kg |
| BOX WEIGHT | 9 kg |
| EPAL WEIGHT | 236 kg |
| CUSTOMS CODE * | 8413.82.00 |
| BARCODE EAN 13 | 8054633849712 |

*Data updated in May 2016

ADVANTAGES

- Acid resistant material
- Operation up to 60°C and on demand up to 70°C
- Self-protection against damages caused by dry work
- Maximum manageability
- Hose reel handle
- Easy unscrewed tank

BENEFITS

- Elimination of limestone from boiler/heat exchanger
- Reduction of energy consumption visible on your bill
- Suitable for the descaling of:
 - Boilers
 - Heat exchangers
 - Plastic press moulding machines
 - Wall-mounted boilers

MAIN FEATURES

Descaling pump BOSS 5 FI is the most suitable device for the descale of wall-mounted boilers, boilers, heat exchangers and coils obstructed by limestone. It is characterized by an excellent manageability, high prevalence and flow rate, safety of use and easy maintenance to guarantee the highest results and speed of intervention. It is completely made with anti-acid material, except for the motor with vertical axis, properly protected with an anti-acid shrinkable membrane.

The motor is assembled on a strong lid on the tank closure, completely unscrewing and removable, to guarantee an extremely easy maintenance. Equipped with Flow Inverter (FI) that guarantees to the descaling liquid to alternatively act at both side of the circuit.

The use of descaling products with inhibitors, created by Manta Ecologica S.r.l. assure a fast intervention and the maximum safety for heating systems and workers. For the correct functioning of the pump use exclusively chemical products of BP descaling line. It is suggested for

a long duration of the device to not leave any acid products inside the tank, once the cleaning process is over, and to let circulate for few minutes the neutralizing solution Neutral Liquid or Neutral Powder, in order to eliminate acid debris present inside the system.

APPLICATION AND USE

Pump for the descaling of boilers, heat exchangers, wall-mounted boilers and floor standing boilers.

WHAT DO I NEED TO INSTALL IT

- Flexible pipes for an easier connection
- Nipples
- Connections
- Typical plumber 'tool for connections of different type.

CORRECT INSTALLATION

BOSS 5 FI pump reaches its best performances with descaling products of BP line. Descaling products have an acid base, for their use, have to be followed all safety prescriptions reported on the relative packages and safety data sheets. Use protective gloves and apron and wear suitable glasses, verifying that the place where you are operating is well-ventilated. During the descaling operations, do not use free flames and/or lamps. The lid of the refill/discharge tank, during its functioning, has to be removed, to aerate the liquid contained inside the tank.

1. Before the insertion of the plug inside the power supply, control that the switch is off.
2. In addition be sure that the pump is good fastened to the tank.
3. Properly close with the lids all pump pipes after having unplugged them from the system at the end of the cleaning operation, in order to avoid any solution spread on the working places.
4. Control, as first thing (if it is possible) As first thing (if it is possible) control if inside the device that has to be descaled, there is enough

space to guarantee the passage for the acid solution, the operation is not possible.

5. Disconnect the outlet and inlet of the device to descale, if it is possible, drain it from the internal water and then connect it to the pump, through the use of equipped pipes.
6. Remove the tank cap and add water up to half tank (please notice that operational temperature during descaling must never exceed 50 °C).
7. Connect the pump to the mains; switch it on and start adding slowly descaling chemical, until required concentration is obtained.

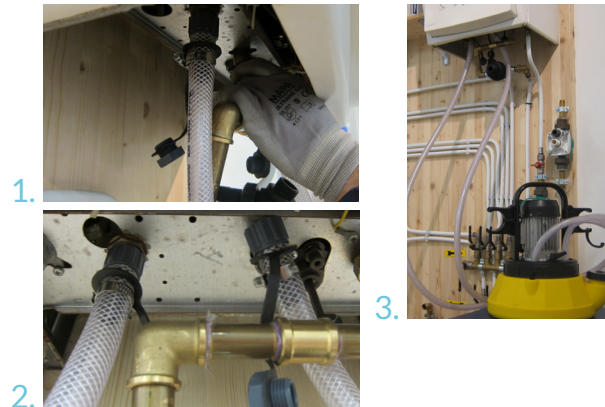
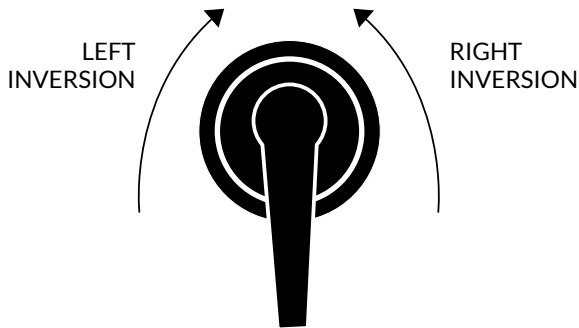
This operation guarantees the correct acid product blending.

Please carefully follow use and safety information reported on the label of product. Anyway, maximum operational time (continuously) of the motor, should not exceed 2 hours. Please after 2 hours, let the system rest for at least half an hour.

ATTENTION: on all version equipped with 4-way valve (FI) the acid solution flow can be inverted acting on the external control (directional valve)

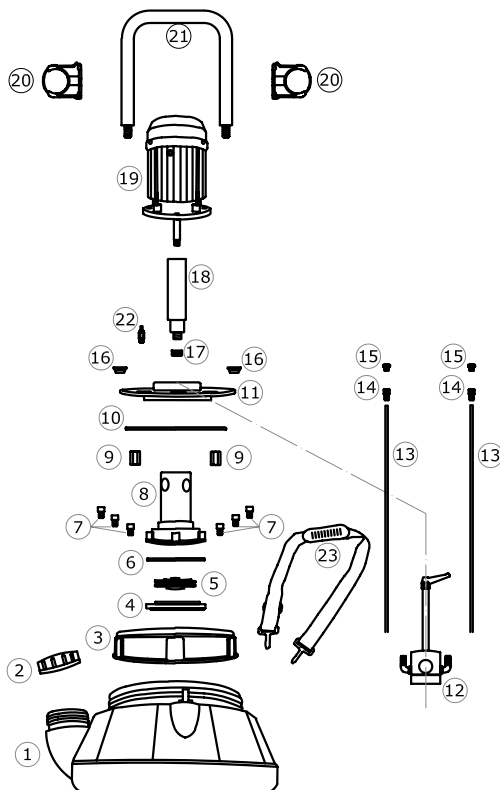
to obtain a better result.

In case of excessive foam production, dilute the acid solution and switch off for a short time the pump. At the end of the descaling operation, replace the acid solution inside the pump, with clean water and rinse the descaled element.



1. Connection in/out pipes to the boiler
2. Pipes connection details
3. General view of the pump correctly installed

EXPLODED VIEW AND SPARE PARTS



- 1 - TANK
- 2 - TANK LID
- 3 - RING NUT
- 4 - IMPELLER COVER
- 5 - IMPELLER
- 6 - O-RING 98x3,53 mm
- 7 - PLASTIC SCREW M6 x 20 mm
- 8 - PUMP BODY
- 9 - PLASTIC NUT
- 10 - FLANGE O-RING
- 11 - FLANGE
- 12 - FLOW INVERTER
- 13 - HOSE 16x22
- 14 - JOINT 8120 1/2"x16 mm
- 15 - LID 8200 1/2"
- 16 - FAIRLEAD FG 412
- 17 - FAIRLEAD FG 028
- 18 - PVC MOTOR SHAFT
- 19 - MOTOR
- 20 - HOSE HOLDER
- 21 - HANDLE
- 22 - VENT VALVE
- 23 - SHOULDER STRAP + CARABINERS

WHAT DO I NEED TO INSTALL IT

- Flexible pipes for an easier connection
- Nipples
- Connections
- Typical plumber 'tool for connections of different type

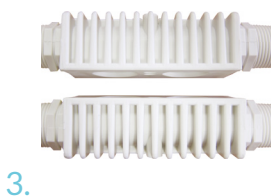
MAINTENANCE

At the end of descaling operation:

1. Do not leave pump unattended during the operations.
 2. Control the pH is included between 6,5 and 9,5. For the liquid neutralization, both the ones present inside the pump, and also the ones present inside the descaled elements, we recommend to use neutralizing products (ex. Neutral Liquid or Neutral Powder).
 3. Switch off the pump and disconnect as first thing the powder cord.
 4. Wait till when the solution circulating inside the descaled device returns inside the tank.
- DO NOT LEAVE ANY ACIDIC SOLUTION INSIDE THE TANK: fumes may seriously damage pump components.**

OPTIONAL

1. Buste terminali
COD. 300610001
2. Raccordi
COD. 300610003
3. HE Descale adaptor
COD. 300610004



SIMILAR PRODUCTS

- | | |
|--|----------------------------------|
| 1. Boss Pulce FI COD. 300601001 | 5. Boss 100 FI COD. 300601009 |
| 2. Boss 18 - 18 FI COD. 300601003 - 300601003 | 6. Boss 200 FI COD. 300601010 |
| 3. Boss 22 - 22 FI COD. 300601006 - 300601005 | |
| 4. Boss 36 - 36 FI COD. 300601008 - 300601007 | |



TO BE USED WITH:

- 1. DETEX FE**
5 kg - COD. 300501001
10 kg - COD. 300501002
20 kg - COD. 300501003
- 2. DETEX PLUS**
1 kg - COD. 300501014
5 kg - COD. 300501004
10 kg - COD. 300501005
20 kg - COD. 300501006
- 3. DETEX Plurimetal**
10 kg - COD. 300501011
20 kg - COD. 300501012
- 4. DETEX POWDER MULTI**
1 kg - COD. 300501007
10 kg - COD. 300501008
- 5. DETEX POWDER ZN**
1 kg - COD. 300501009
10 kg - COD. 300501010
- 6. NEUTRAL LIQUID**
10 kg - COD. 300502001
- 7. NEUTRAL POWDER**
1 kg - COD. 300502002
10 kg - COD. 300502003



OFFER DESCRIPTION

Descaling pump ½" connections and with Flow Inverter (FI). Polygonal tank of 5 litres and weight 4,5 kg. Suitable for boilers, kettles and heat exchangers cleaning.

COMPLIANCE

This products mod. BOSS 5 FI has been designed and constructed in accordance with the following European directives (including all applicable amendments):

Directive 2006/42/EC: Machine

Directive 2006/95/EC: Low Voltage

Directive 2004/108/EC: Electromagnetic Compatibility

Directive 2011/65/EC: RoHS 2

In addition, declares, that the electrical material used to made the product is in compliance with Regulation CEI-EN 60034: Electrical rotating machines. Part 1: Nominal and operative features.

ORIGIN OF THE PRODUCT

 Made in Italy

TDS. 349.00
Date of issue: 30/06/2016
Date of revision:

Boiler Performance by Manta Ecologica S.r.l.

Viale Archimede, 45 - 37059 - Zevio (VR)

www.boilerperformance.com

